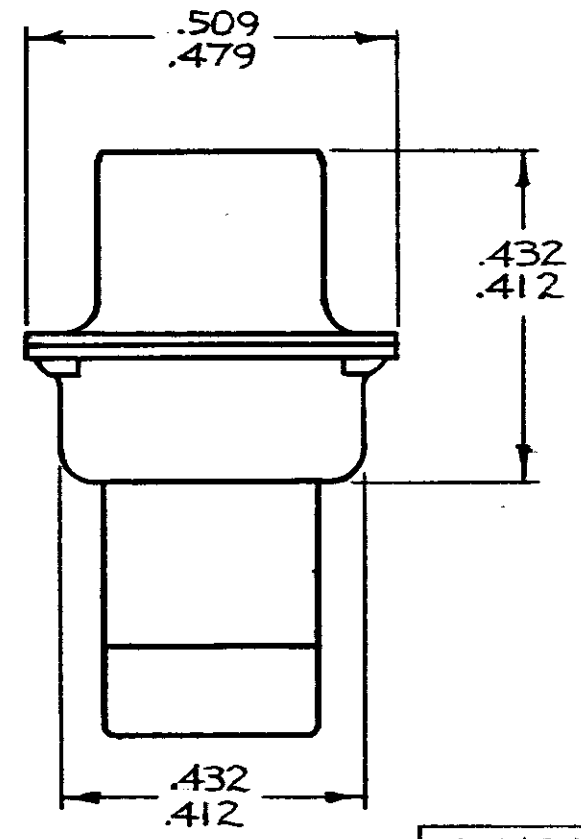
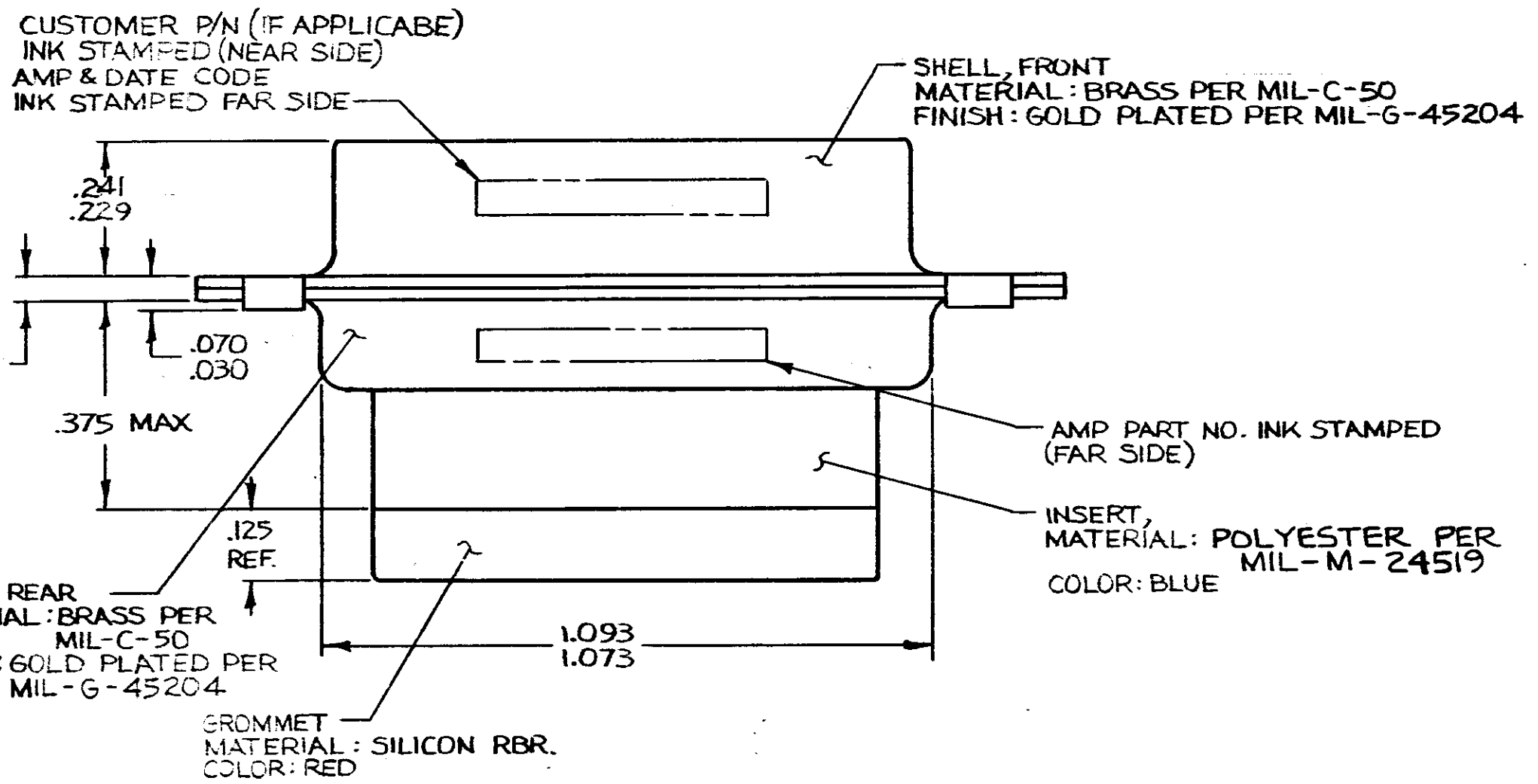
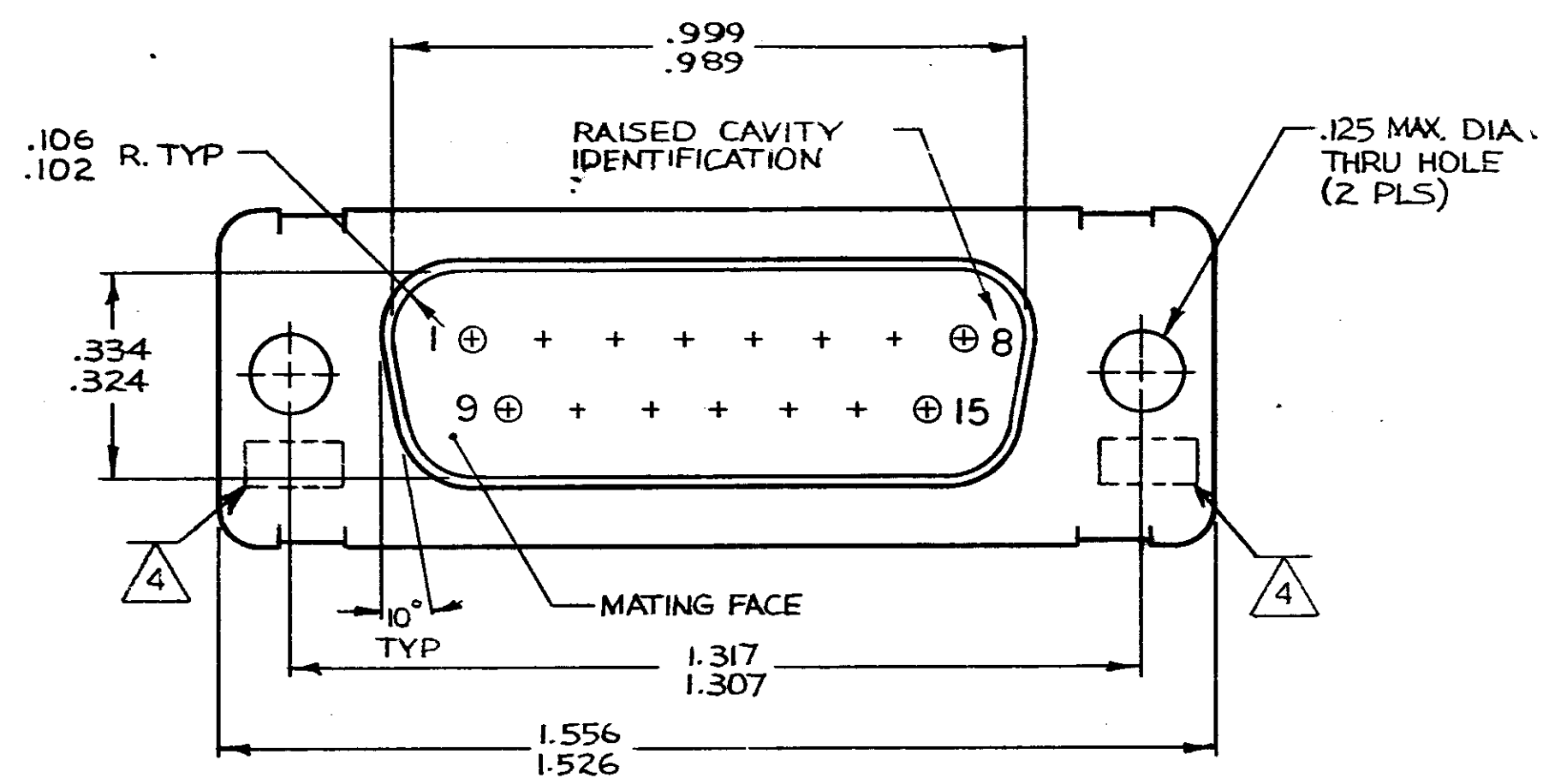


THIS DRAWING IS UNPUBLISHED. RELEASED FOR PUBLICATION
 © COPYRIGHT 19 BY AMP INCORPORATED, HARRISBURG, PA. ALL INTERNATIONAL RIGHTS RESERVED. AMP PRODUCTS MAY BE COVERED BY U.S. AND FOREIGN PATENTS AND/OR PATENTS PENDING.

P	F	ZONE	LTR	DESCRIPTION	DATE	APPROVED
✓	✓		O	RELEASED	1/31/83	DF
✓	✓		A	REV PER ECN K-503	9/2/83	DE
✓	✓		B	REV. PER ECN R-2668	1-28-87	DF AL
✓	✓		C	REV PER DF-1034	M.C. 2-14-89	TC
✓	✓		D	OBS-2; DF-4088	CT 2-91	FL



1. THIS PLUG WILL MATE WITH ANY SIZE 2, 15 POS. RECPT. IN AMPLIMITE SERIES AND WILL ACCEPT SIZE 20 PIN CONTACTS EXCEPT AS NOTED.
 2. MAXIMUM WIRE INSULATION USED WITH THIS PLUG IS .068 DIA. MAX.
 3. BE-CU RETENTION CLIPS ARE INCLUDED IN INSERTS.
- △ UL/CSA DESIGNATION STAMPED IN THIS AREA.

	SAME AS -1 EXCEPT NO CUSTOMER PART NUMBER INK STAMPED	211639-4
OBSOLETE	SAME AS -1 EXCEPT WITH TRW P/N 2A014-032V-001 INK STAMPED	211639-2
	AS SHOWN WITH HUGHES P/N 1A01-027 INK STAMPED.	211639-1
	DESCRIPTION	PART NO

UNLESS OTHERWISE SPECIFIED DIMENSIONS ARE IN INCHES. TOLERANCES ON: DECIMALS ±.005 ANGLES ±	CONTRACT NO	AMP INCORPORATED Harrisburg, Pa. 17105	
	MATERIAL SEE CALLOUT		
FINISH	CHK <i>A.M. Hines</i> 2/7/83	NAME PLUG ASSEMBLY, SIZE 2 NON-MAGNETIC, SPECIAL WITH GROMMET	
		APPR <i>A.M. Hines</i> 2/4/83	SIZE C
	APPR <i>Thompson</i> 2/4/83	FSCM NO 00779	DRAWING NO 211639
	DSGN APPR	SCALE	SHEET 1 of 1
	OTHER APPR		